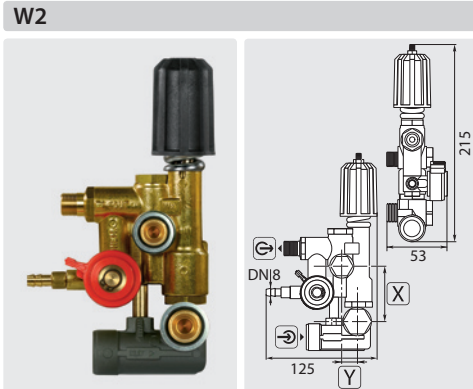
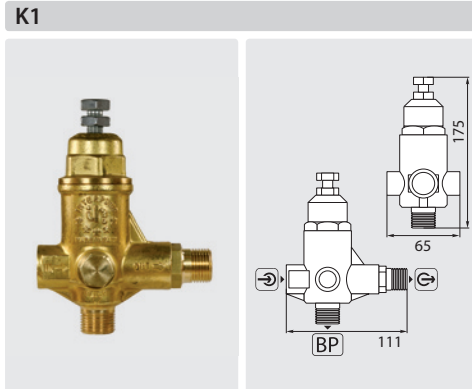


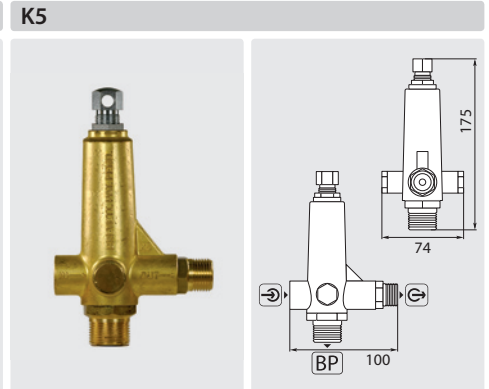
INTERPUMP regulation valves



☉ = inlet 1/2" F. ☉ = outlet 3/8" M.
Max. 200 bar / 60 °C



☉ = inlet 3/8" F. ☉ = outlet 1/2" M.
BP = bypass 1/2" M. Max. 250 bar / 80 °C

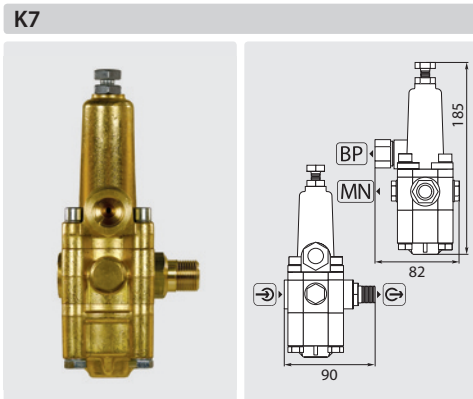


☉ = inlet 3/8" F. ☉ = outlet 1/2" M.
BP = bypass 1/2" F : 3/4" M. MN = pressure gauge 1/4" F. Max. 200 bar / 80 °C

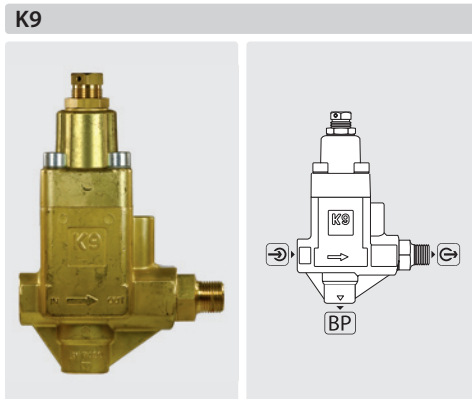
R+M Nr.	TYP	☉	X	Y
010 002 30	W2-1	11 - 15 l/min	63	18
010 002 31	W2-2	16 - 21 l/min	63	18
010 002 35	W2L-1	11 - 15 l/min	73	20
010 002 36	W2L-2	16 - 21 l/min	73	20

R+M Nr.	☉
100 000 10	9 - 41 l/min

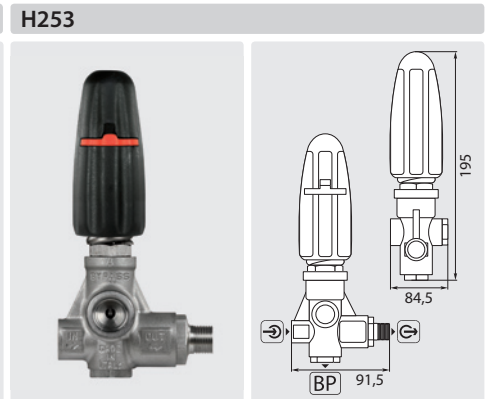
R+M Nr.	TYP	☉
100 000 51	K5.1	11 - 16 l/min
100 000 52	K5.2	16 - 25 l/min
100 000 53	K5.3	25 - 41 l/min



☉ = inlet 3/8" F. ☉ = outlet 3/8" M.
BP = bypass 3/8" F. MN = pressure gauge 1/4" F.
Max. 200 bar / 80 °C



☉ = inlet 1/2" F. ☉ = outlet 1/2" M.
BP = bypass 1/2" F. Max. 400 bar / 80 °C



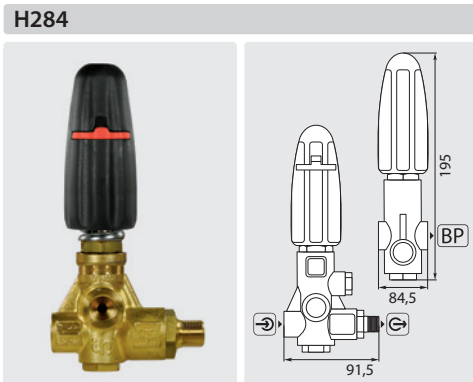
☉ = inlet 3/8" F. ☉ = outlet 3/8" M.
BP = bypass 3/8" F. Max. 250 bar / 80 °C

R+M Nr.	TYP	☉
100 000 70	K7.0	8 - 11 l/min
100 000 71	K7.1	11 - 16 l/min
100 000 72	K7.2	16 - 25 l/min
100 000 73	K7.3	25 - 41 l/min

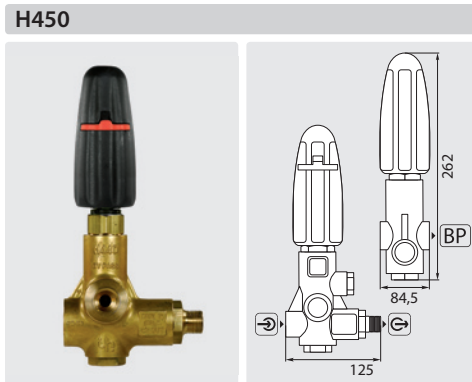
R+M Nr.	☉
100 000 95	50 l/min

R+M Nr.	TYP	☉
100 012 53	stainless steel	8 - 30 l/min

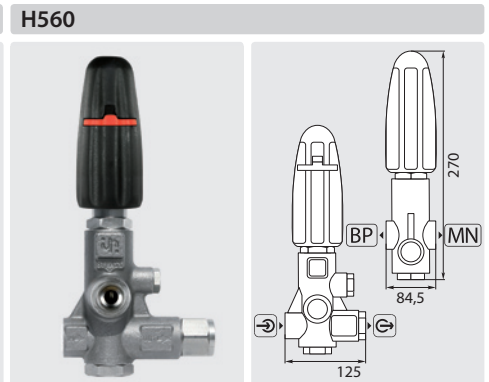
Info about the valves K1 . K3 . K5 . K7 . K9 . BKX.
By means of the valves the pressure can be zeroed in the entire system (pump and hose).



☉ = inlet 3/8" F. ☉ = outlet 3/8" M.
BP = bypass 3/8" F. MN = pressure gauge 1/4" F.
Max. 280 bar / 85 °C



☉ = inlet 1/2" F. ☉ = outlet 1/2" M.
BP = bypass 1/2" F. Max. 400 bar / 80 °C



☉ = inlet 1/2" F. ☉ = outlet 1/2" F.
BP = bypass 1/2" F. MN = pressure gauge 1/4" F.
Max. 500 bar / 80 °C

R+M Nr.	☉
100 002 84	8 - 41 l/min

R+M Nr.	☉
100 014 40	50 l/min

R+M Nr.	TYP	☉
100 005 60	stainless steel	60 l/min